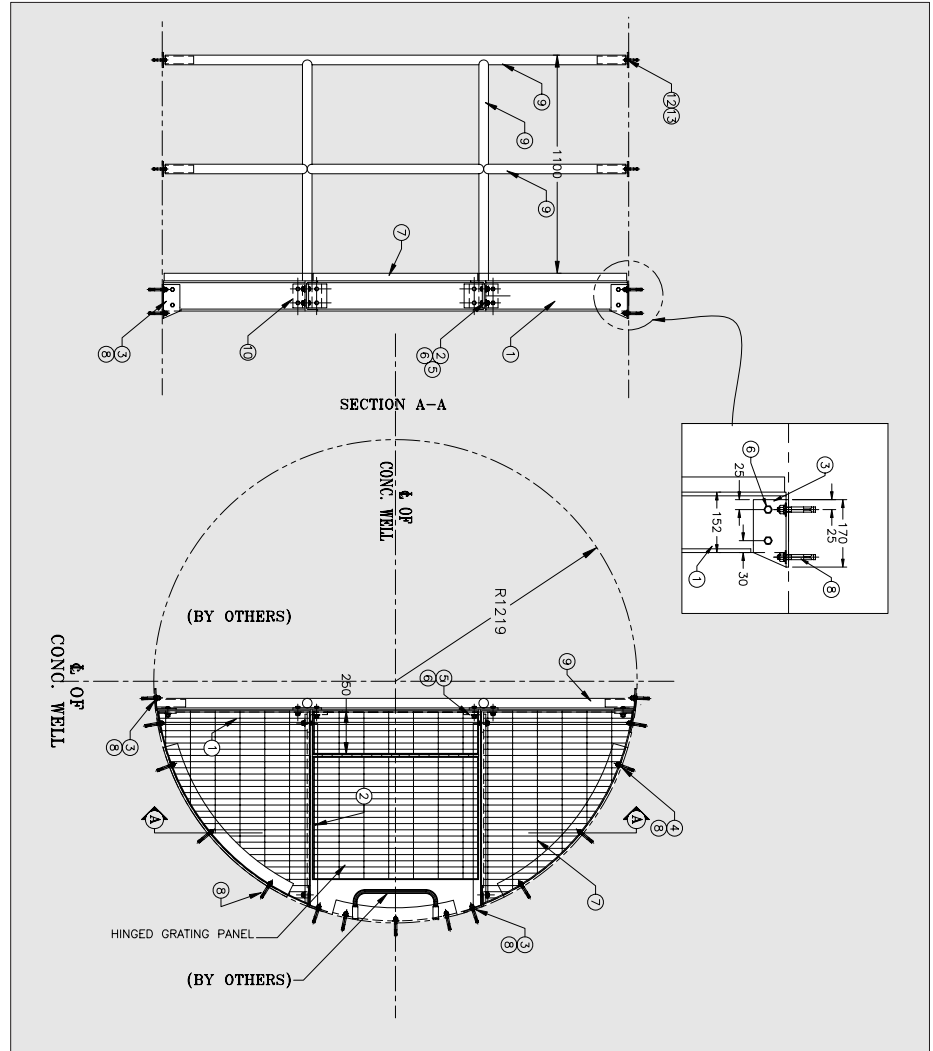
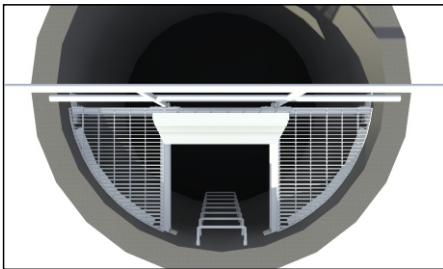
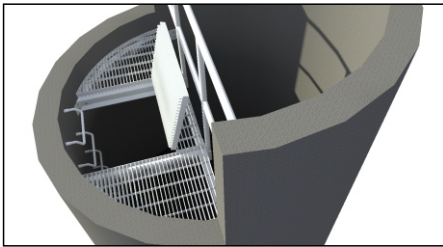
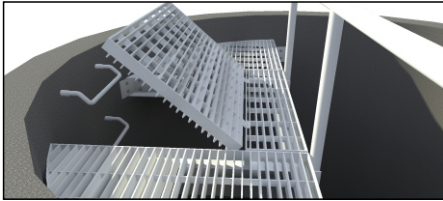
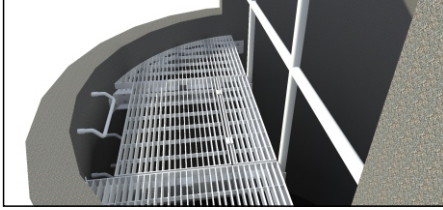


2364 Haines Rd., Unit 20-21 Mississauga, Ontario Canada

Aluminum Grating Safety Landing

MODEL NO. Type - Ø2438mm (Ø96") Pumping Station

Application



Materials

#	QTY	MATERIALS	DESCRIPTION
1	1	Alum. CSA H5A 6061-T6	Channel 152 x 64 x 11mm main support
2	2	Alum. CSA H5A 6061-T6	Channel 152 x 64 x 11mm secondary support
3	6	Stainless Steel 304	Angle 102 x 102 x 6 brackets
4	3	Alum. CSA H5A 6061-T6	76 x 76 x 10mm Perimeter Rolled Angle
5	2	Alum. CSA H5A 6061-T6	Angle 100 x 100 x 10 Brackets
6	24	Stainless Steel 304	M12 x 50mm Lg. Bolt C/W Flat Nut and Lock Washer
7	4	Alum. CSA H5A 6061-T6	Grating Bearing Bar (38 x 5 mm) Banded C/W S.S Holddown Clips One of the Panel is Hinged Panel c/w 3/8" St.Stl. Hinge

#	QTY	MATERIALS	DESCRIPTION
8	18	Stainless Steel 304	M12 x 95mm Lg. HILTI K.B. II Anchor C/W Flat Nut and Lock Washer
9	AS	Alum. CSA H5A REQ'D 6351-T6	1 1/2 Sch. 40 Pipe (1.9" O.D)
10	2	Alum. CSA H5A 6061-T6	127 x 145 x 6mm Mounting Plate
11	4	Alum. CSA H5A 6351-T6	6" Internal Splice Connector Fastened With S.S #66 Rivet
12	4	Alum. CSA H5A 6061-T6	152 x 76 x 10mm H.R Base Plate
13	12	Stainless Steel 304	10x 95mm LG. Hilti K.B. II Anchor C/W Nut, Flat and Lock Washers

Note:

- 1) All aluminum surfaces in contact with concrete shall receive 2 coats of bituminous paint.
- 2) Welding shall conform to CSA W47.2 -M1987 CSA W59.2-M1991.
- 3) Welded surface remains as welded.