

2364 Haines Rd., Unit 20-21 Mississauga, Ontario Canada

Safety Grades

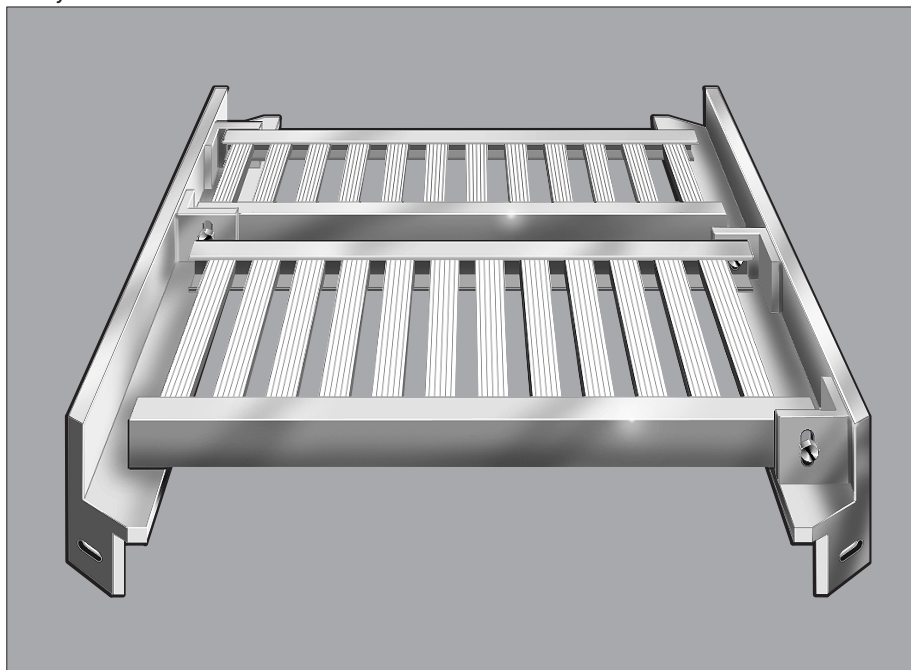
Durable lightweight Safety Grate passes safety tests for MTO and MOE use only. Panels equipped with self locking hinge. All aluminum design, mill finish 6351-T6. Top surface cross bars and channel features continuous raised longitudinal ridges for skid resistance. Overall dimensions in accordance with standard sizes (or sketch).

Installation to concrete pipe which meet ASTM standards by Cast in place or Bolt on.

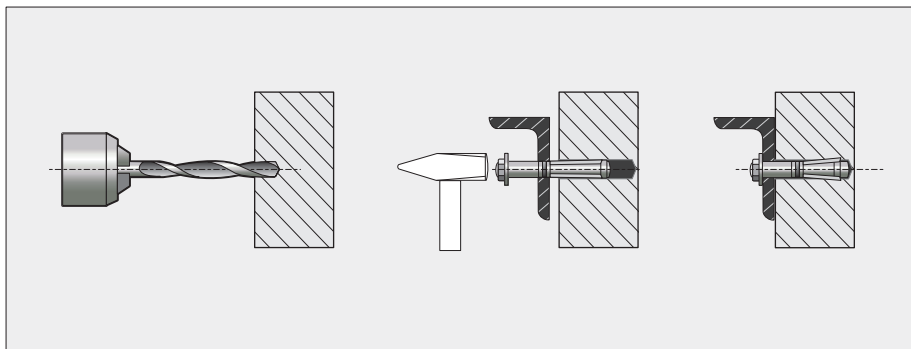
Installation

1. Position angle supports. Be sure they are parallel to one another.
Mark and drill with 0.5 inch diameter hole. Minimum embedment 2.5 inches.
2. Position fixture for installation, before driving assemble anchor with washer and nut ensuring the nut is flush with top of anchor.
3. Drive in anchor until nut washer are flush with fixture and tighten nut. resistance will increase after 3rd or 4th complete turn.
4. After angle supports are secure and parallel, install platforms using nylon insert lock nuts and hexagon head cap screws.

Safety Grades MODEL NO. 1048



Installation



Sizes

ALUMINUM	DIA. (INCH)	DIA. (MM)	# OF PLATFORMS	# OF CROSS BARS	BEARING BAR DIMENSIONS (INCH)	ORDER MODEL NUMBER
	48	1200	2	11	3x3x3/8	1048
	60	1500	2	14	3x3x3/8	1060
	66	1650	3	15	3x3x3/8	1066
	72	1800	3	15	3x3x3/8	1072
	84	2100	3	19	4x4x3/8	1084
	96	2400	4	22	4x4x3/8	1096

- Type: Bolt on (unless specified cast in place) standard sizes in stock. Also available for square manholes.

Hardware included for 48"

4 each - 1/2" - 13 x 3 3/4" wedge. anchor C/W
 Nuts & washers - S.S
 4 each - 1/2" - 13 x 1 3/4" UNC
 Hexagon head cap screw S.S
 4 each 1/2" - 13 UNC
 Nylon insert lock-nut S.S

Precautions

Wearing of safety glasses and employing any other necessary protective measures while installing anchors is highly recommended.