

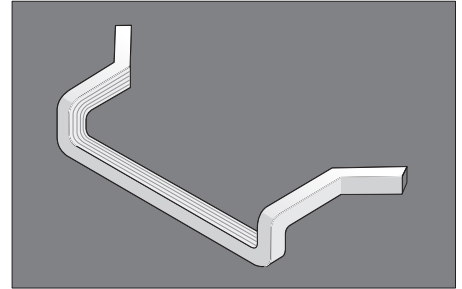
2364 Haines Rd., Unit 20-21 Mississauga, Ontario Canada

Manhole Steps

Type 2716

Stepcon's specialized step used in some manhole grating rings. Outside dimension 16" (before bend). Rectangular. Aluminum 6351T4

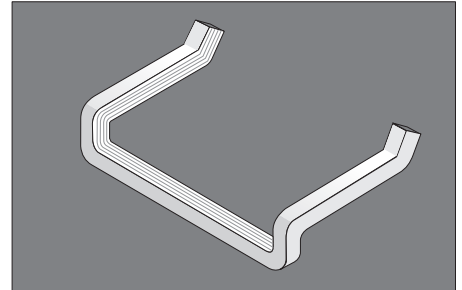
Manhole Step Type 2716



Type 2816

Precasters solid rectangular aluminum 6351T4.

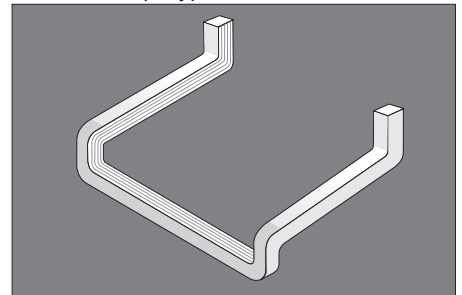
Manhole Step Type 2816



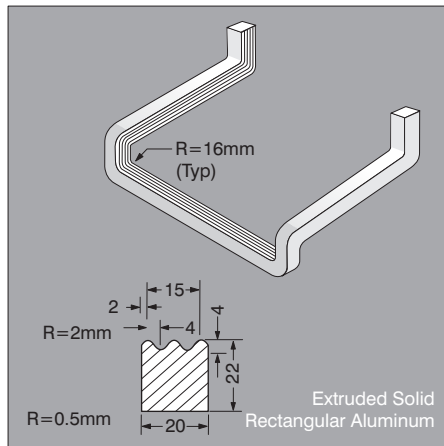
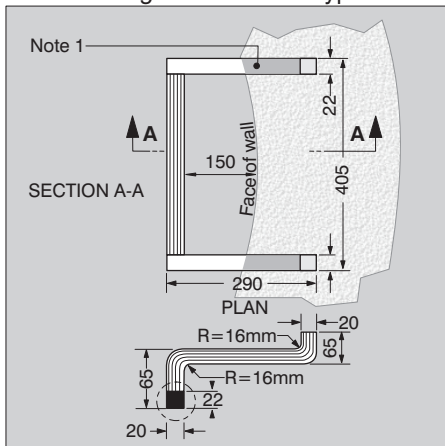
Type 2916

Contractors cast in place rectangular. Aluminum 6351T4. (Dimensions below).

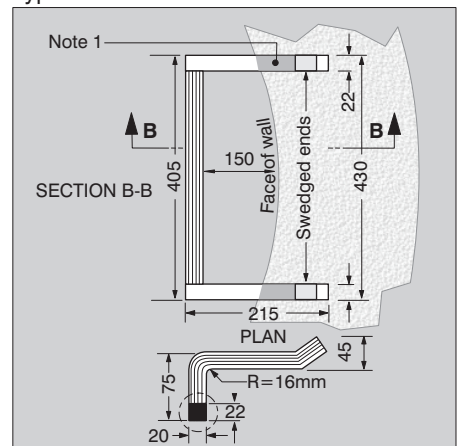
Manhole Step Type 2916



Solid Rectangular Aluminum Type 2916



Type 2816



Notes:

- 1) Rung surface in concrete to be coated with asphalt paint. All dimensions are millimeters unless otherwise shown.