

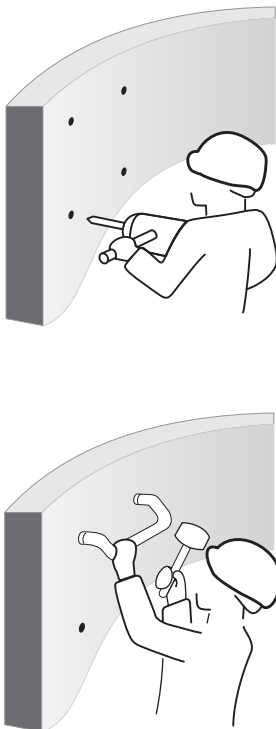
2364 Haines Rd., Unit 20-21 Mississauga, Ontario Canada

Manhole Steps

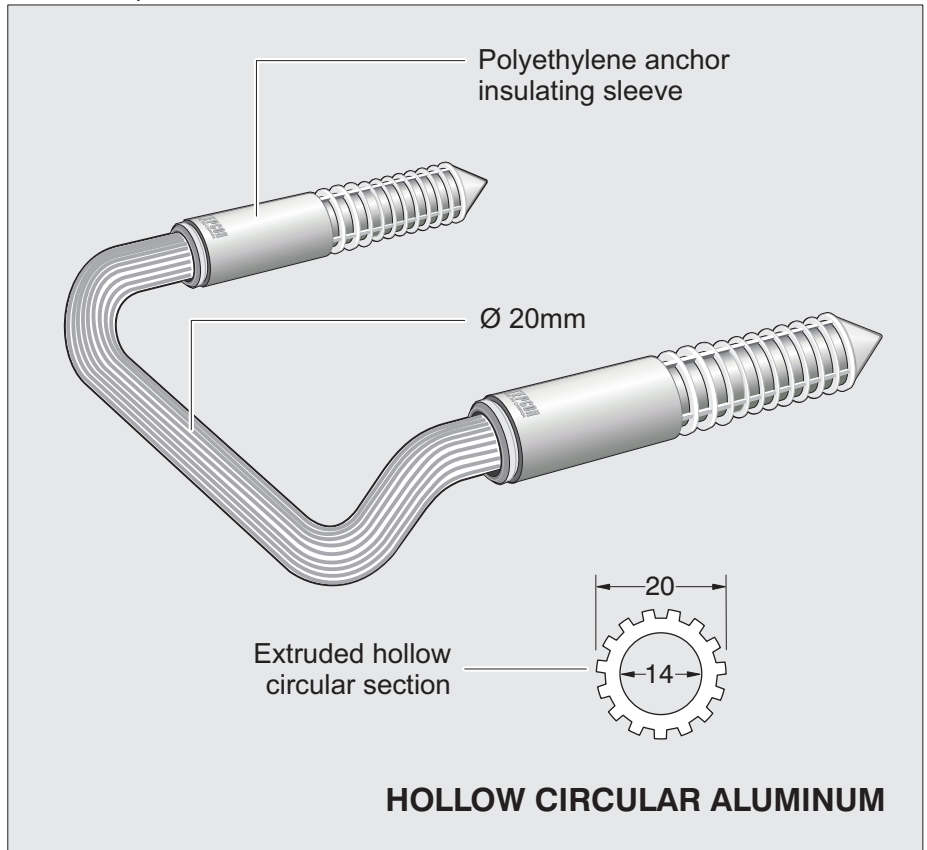
Stepcon steps for safe and easy access to Manholes, Valve Chambers, Pumping Stations and equipment rooms. Designed and tested to conform to ASTM C478, OPSD 405.010. Adheres to and accepted for MTO and MOE use only. The low density polyethylene anchor sleeve design allows a wide range of installations, predetermined holes, cast in place, or grouted into concrete pipe that meets ASTM standards. A versatile Step made of aluminum.

Application

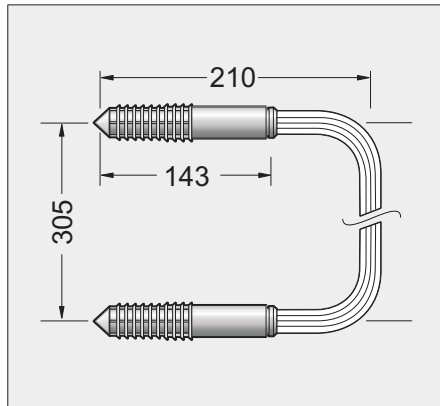
Installation (dry method):
Drill holes 25.4mm (1 inch) diameter, 90mm (3.5 inches) deep. Hammer in Step to I.D. mark (midway) on plastic sleeve with a 2 kg (5 pound) rubber mallet.



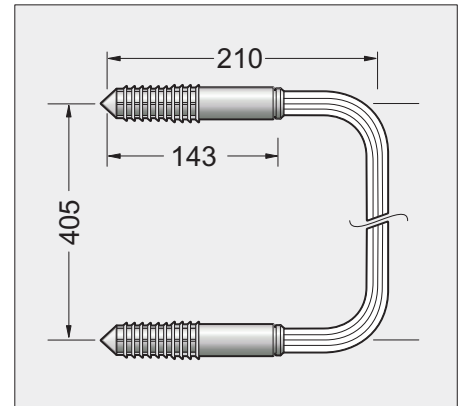
Manhole Steps MODEL NO. 2016



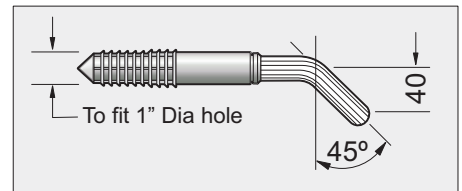
Plan 2012



Plan 2016



Side View



Precautions

Wearing of safety glasses and employing any other necessary measures while installing. Manhole Steps is highly recommended