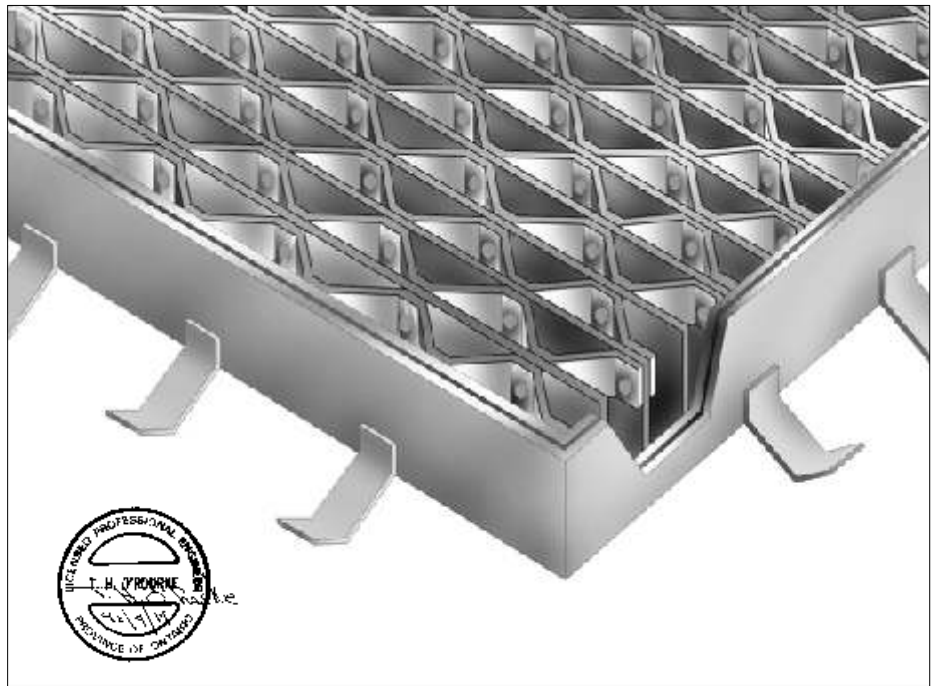
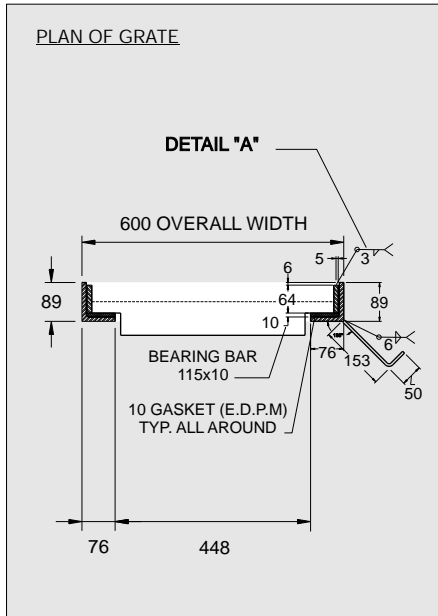
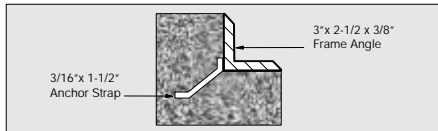


2364 Haines Rd., Unit 20-21 Mississauga, Ontario Canada

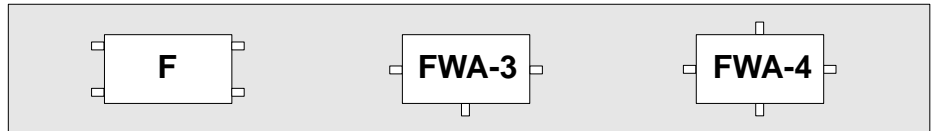
Galvanized Steel
Reticuline Airport Grates



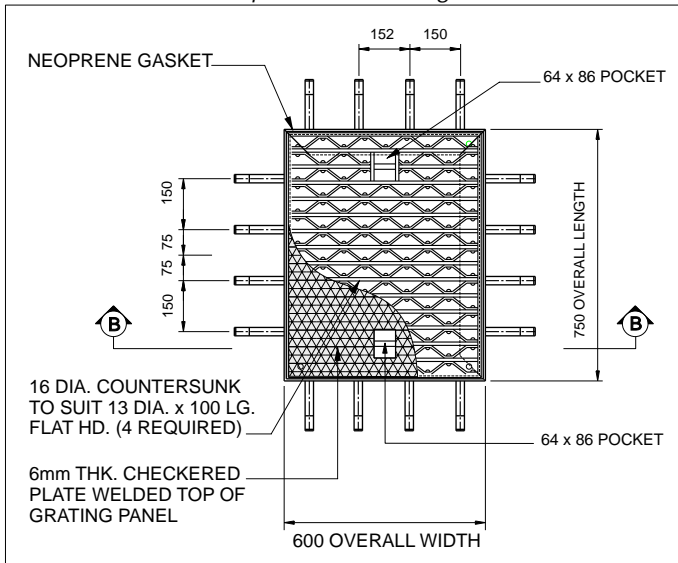
Anchor Detail



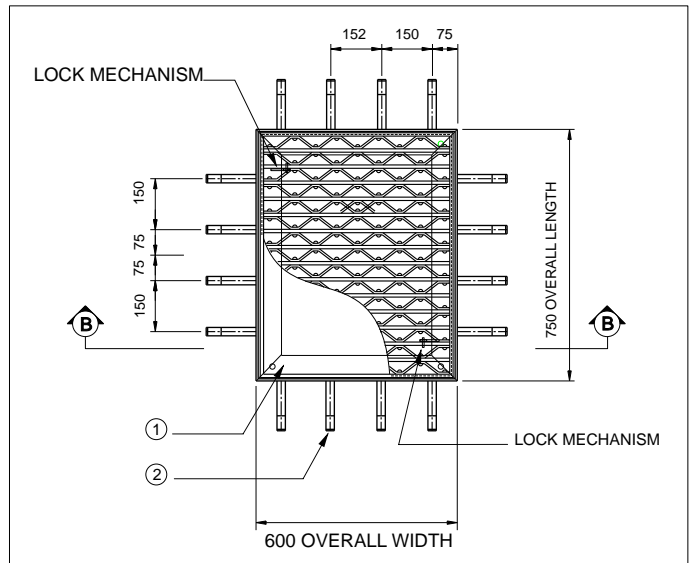
Anchor Positions



Model 5012 Riveted Airport Grate Watertight



Model 5017, 5018



MODEL NO.	DESCRIPTION	BEARING BAR	SIZE
5012	Riveted Airport Grate	115 x 10 w/checker cover	575mm x 730mm
5017	Riveted Airport Grate	75 x 10	575mm x 730mm
5018	Riveted Airport Grate	115 x 10	575mm x 730mm